



SERENE
HEAVY DUTY TILT AND SLIDE DOOR

General Documentation Disclaimer

This manual is intended as a manufacturing and installation advisory document. For correct specifications, sizing of profiles and structural information please consult the StarFront Application. If the information you require is not available through the StarFront Application, please contact your stockist before proceeding. It is advisable to have all sizing and performance criteria checked by a qualified structural engineer to ensure that the required criteria will be met.

All information, recommendations or advice contained in this documentation is given in good faith to the best of Wispeco's knowledge and is based on current procedures in effect.

Since the actual use of this documentation by the user is beyond the control of Wispeco, such use is within the exclusive responsibility of the user. Wispeco cannot be held responsible for any loss incurred through incorrect or faulty use of this documentation. Training of Wispeco systems is important for ensuring correct procedures in the manufacturing of products.

Great care has been taken to ensure that the information provided is correct.

Ensure that you have the latest available manual. The revision number and date can be checked on the latest StarFront version.

Wispeco will accept no responsibility for any errors and/or omissions, which may have inadvertently occurred.

Specifications concerning products and applications

This manual is based on standard configurations only. As there are many configurations not covered in this manual, contact your stockist with regards to a configuration not represented herein if required.

AutoDesk drawings (CAD Symbol Library) are available on request and can be issued with the consent of the Wispeco Technical Department.

All mechanical joints must be sealed with a **Crealco approved joint sealer**. Failure to correctly seal the joints can affect the performance of the system. Information on joint sealing can be found in the Cleaning & Maintenance Manual available for download from the Wispeco website or from StarFront.

All drawings in the Wispeco Documentation are NOT to scale and are used for illustrative purposes only.

Wispeco will not accept responsibility for the use of standard products since Wispeco does not know where these products are being installed.

The hardware recommended in this documentation is suitable for use in most atmospheric environments. When hardware is used in severe coastal environments the manufacturer of the hardware must be consulted.

The use of non-specified hardware or incorrect mechanical fasteners can adversely affect the mechanical and weathering performance of the system and we strongly advise against deviations. A Wispeco Consultant can advise you of any hardware issues and limitations with regard to this system.

The use of anti-magnetic stainless steel screws and aluminium pop rivets is recommended to reduce galvanic corrosion in harsh environments.

Fixing lugs on frames must be positioned as per the user manual and used in accordance to the AAMSA specifications. When profiles are screwed together the screw centres must also be according to the user manual or as specified by an engineer.

All glass used within Wispeco products must comply with SAGGA regulations. Laminated glass must not stand in water.

By continuing to use this documentation you acknowledge that you understand and accept the legal disclaimer.

This manual must be read in conjunction with the Installation, Cleaning & Maintenance Document and the Performance Certificates for the relevant system. The manual must also be used in conjunction with the design and cutting list from the latest version of StarFront.

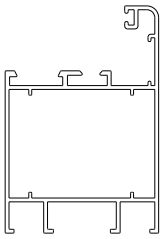
Index	ii
Legal Disclaimer.....	1

	General System
Profile Identification.....	2-3
Hardware Components.....	4-5
Size Limitation Guide.....	6
Typical Door Configurations.....	7
Typical Window Configurations.....	8
Fixing Details.....	9
Cross-Sectional Detail.....	
Frame.....	10
Sash.....	11
Exploded View.....	
Frame.....	12-13
Sash.....	14
Lock Diagram.....	15
Hardware Detail.....	
Sash.....	16
Frame.....	17
Tilt & Slide.....	18
Locking Bar Machining Detail.....	19
Perforator for Opening Systems.....	20
Performance Report.....	21
Glazing Procedure.....	22

SERENE
HEAVY DUTY TILT AND SLIDE DOOR
PRODUCT MANUAL

Profile Identification

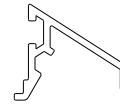
Serene T&S Window Profiles



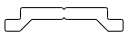
DIE No. W55750 | Frame 52mm
Tilt & Slide



DIE No. W55481 | Midrail
101mm



DIE No. W31263 | Drip Rail



DIE No. W29131 | Locking Bar



DIE No. W31271 | Bead Square
13mm



DIE No. W31265 | Bead D/Glazing
Square



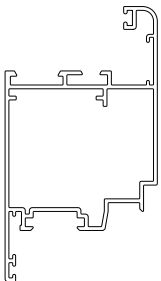
DIE No. W31273 | Bead Square
27mm



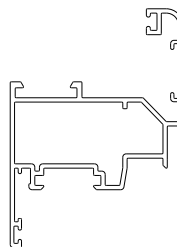
DIE No. W32657 | Bead D/Glazing
35.5mm



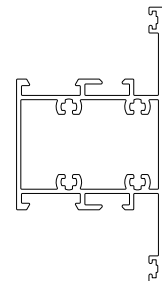
DIE No. W32208 | Bead Rounded Clip
13mm



DIE No. W55255 | Sash
94mm



DIE No. W55253 | Sash
72mm



DIE No. W55247 | Mullion
44mm Flat

* - NON STOCK ITEM

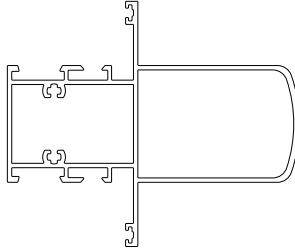


This manual must be read in conjunction with the Installation, Cleaning & Maintenance Document and the Performance Certificates for the relevant system. The manual must also be used in conjunction with the design and cutting list from the latest version of StarFront.

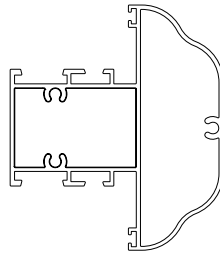
SERENE
HEAVY DUTY TILT AND SLIDE DOOR
PRODUCT MANUAL

Profile Identification

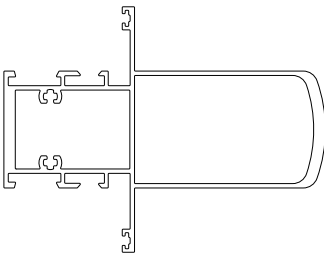
Serene T&S Window Profiles



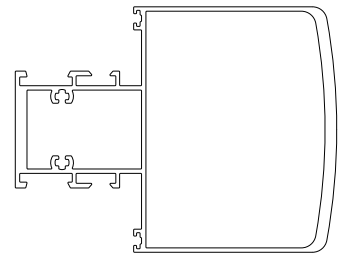
DIE No. W55978 Rounded Mullion
100mm



DIE No. W55480 Decorative Mullion
73mm



DIE No. W56704 Extra Heavy Duty Mullion
110mm



DIE No. W56710 Jumbo Mullion
110mm



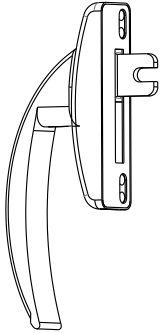
This manual must be read in conjunction with the Installation, Cleaning & Maintenance Document and the Performance Certificates for the relevant system. The manual must also be used in conjunction with the design and cutting list from the latest version of StarFront.

SERENE
HEAVY DUTY TILT AND SLIDE DOOR
PRODUCT MANUAL

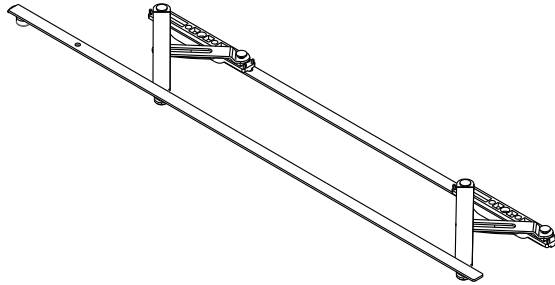
Hardware Components

RECOMMENDED SERENE T&S COMPONENTS

All hardware is available through our Stockists as well as through Crealco Components, and can be viewed on www.crealco-components.com



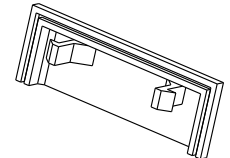
RTT-491338
Geared Black Handle



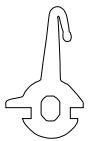
RTT-216634
Scissors-Slider (SB) Size 2 - 931-1280



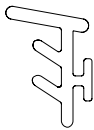
216607EN
Big Pin



PEX-WDC
Drainage Cover



GSL-CG-H702
Center Gasket



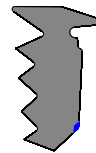
GBF-EPVC
Butterfly Euro
PVC Backing



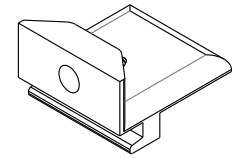
GSL-48EPDM
Bubble Seal 4.8mm



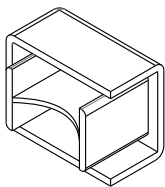
GSL-WSF
Sash Gasket



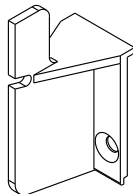
GWG-01G
GWG-02B
GWG-03R
GWG-04Y
GWG-05P
Wedge Gasket



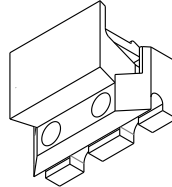
RTT-212633
Striker



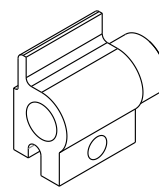
Square Endcap (Left&Right)



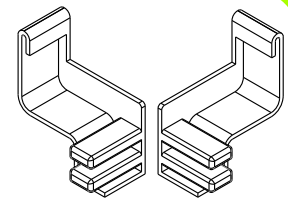
Plastic Bracket



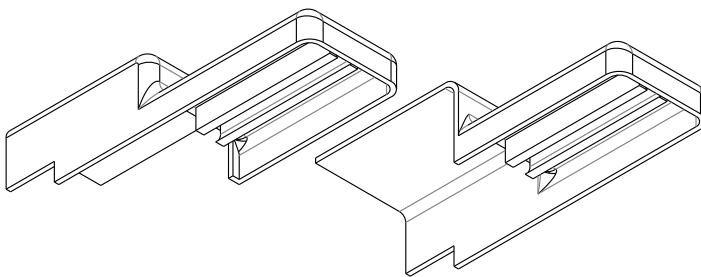
Track Catch



Stopper



End Cap Top Left/Top Right

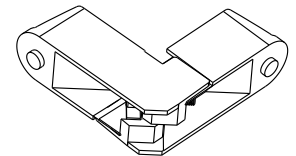


End Cap Bottom Left/Bottom Right

RTT-216607 KIT



SGD-FMG520
Alignment Mitre
Corner



LGC-JC3236
Joining Corner

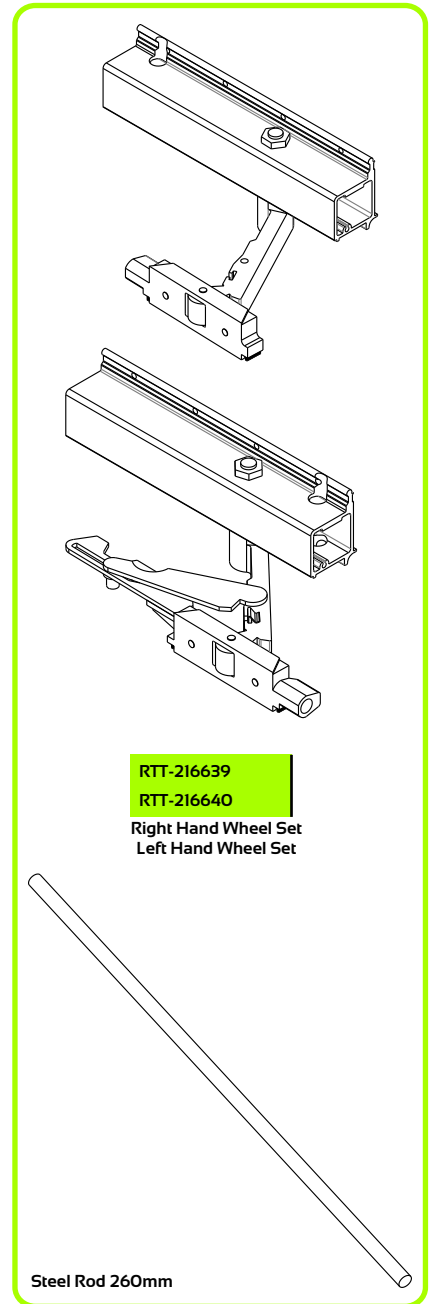
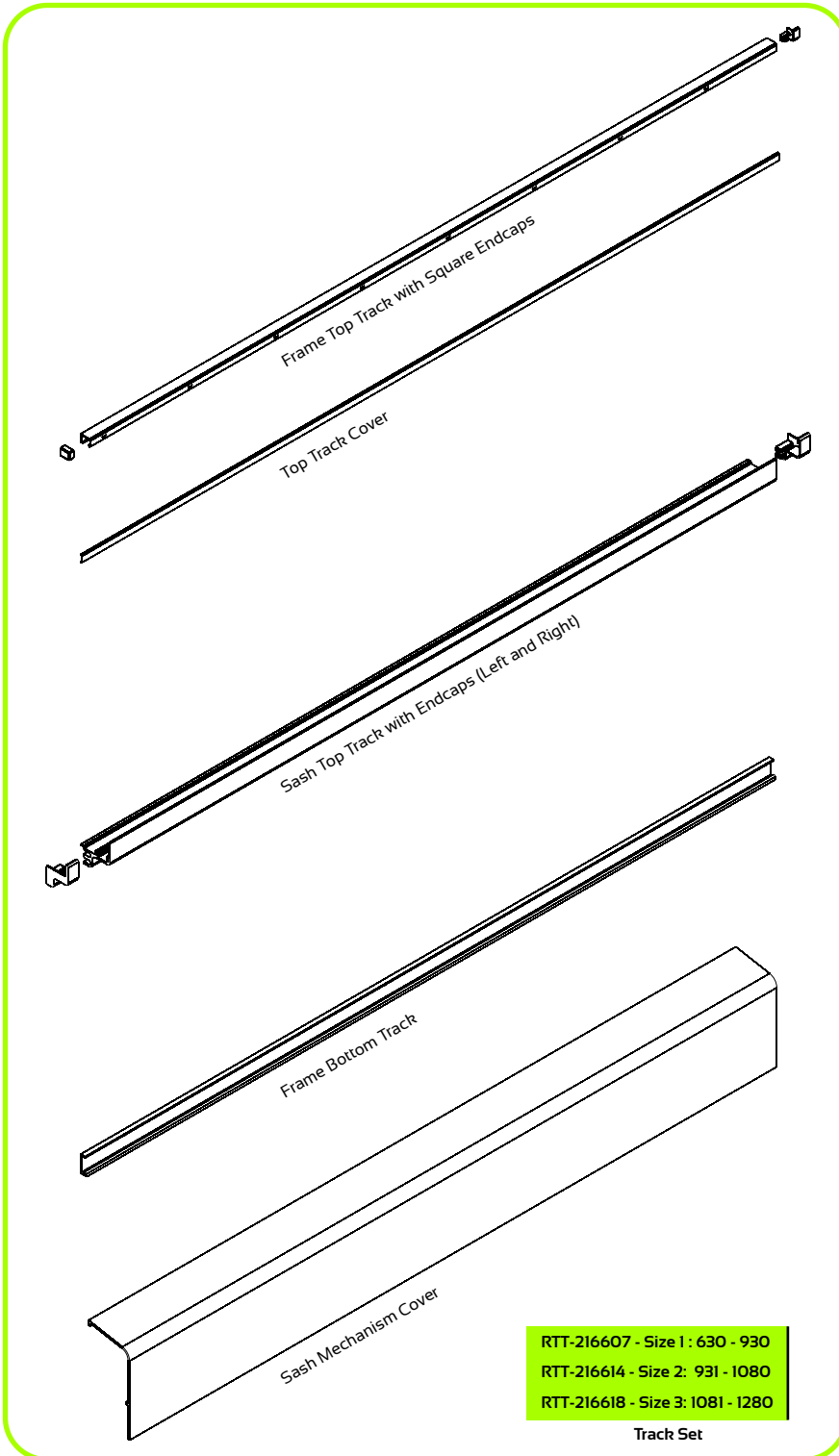


This manual must be read in conjunction with the Installation, Cleaning & Maintenance Document and the Performance Certificates for the relevant system. The manual must also be used in conjunction with the design and cutting list from the latest version of StarFront.

SERENE
HEAVY DUTY TILT AND SLIDE DOOR
PRODUCT MANUAL

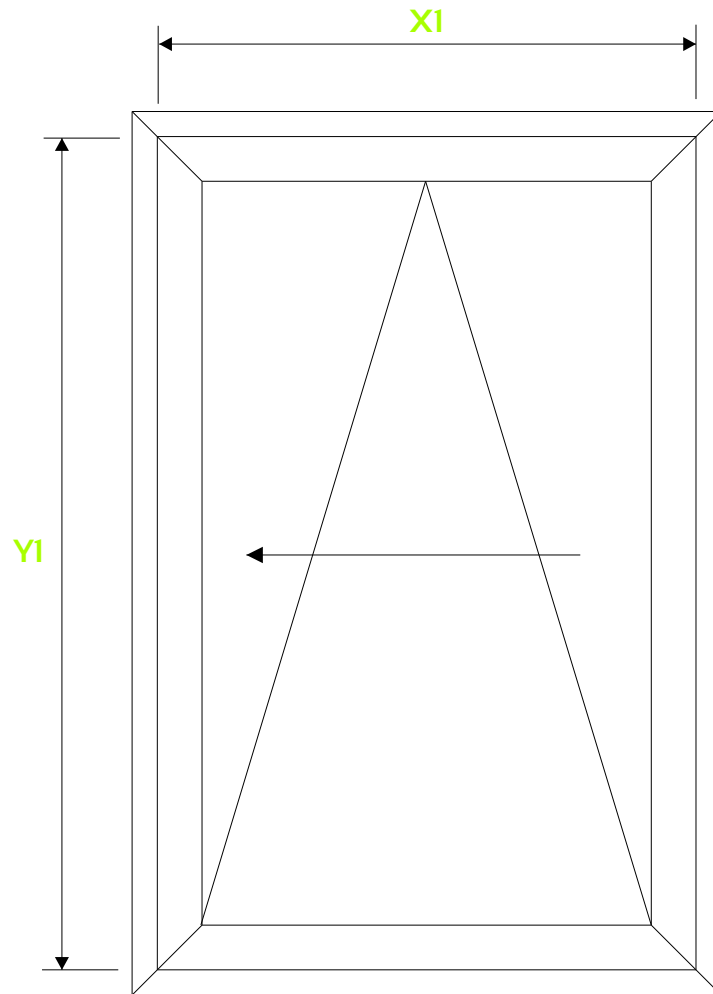
Hardware Components

RECOMMENDED SERENE T&S COMPONENTS



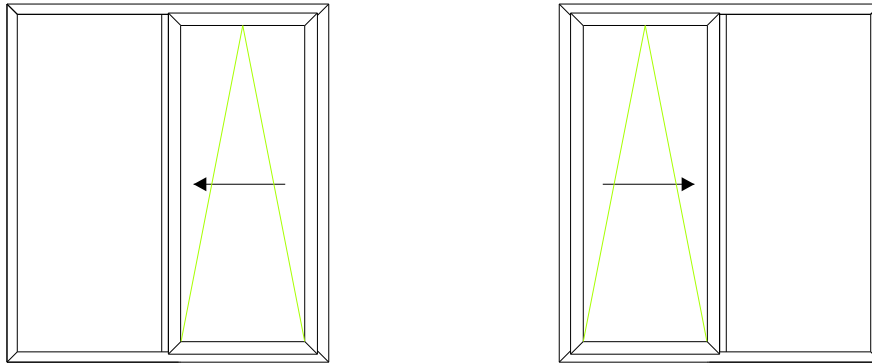
This manual must be read in conjunction with the Installation, Cleaning & Maintenance Document and the Performance Certificates for the relevant system. The manual must also be used in conjunction with the design and cutting list from the latest version of StarFront.

Disclaimer: The right to make alterations is reserved
© 2013 Wispeco (Pty) Ltd, All Rights Reserved

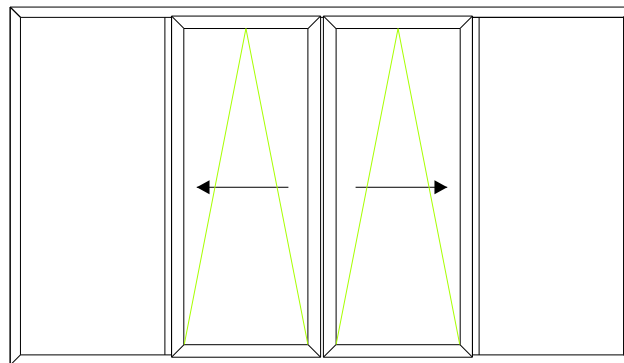


WINDOW AND DOOR LIMITATIONS
MAXIMUM SASH WIDTH: X1 = 1680mm
MINIMUM SASH WIDTH: X1 = 630mm

MAXIMUM SASH HEIGHT: Y1 = 2330mm
MINIMUM SASH HEIGHT: Y1 = 930mm

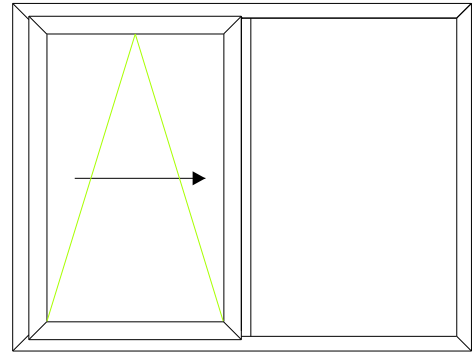
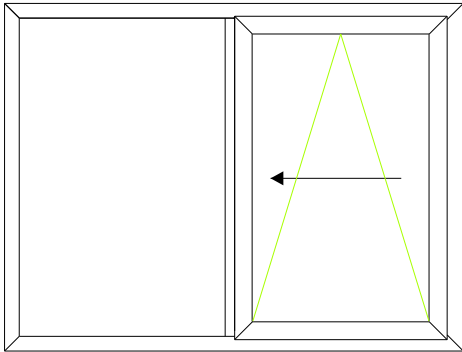


SINGLE TILT & SLIDE DOOR

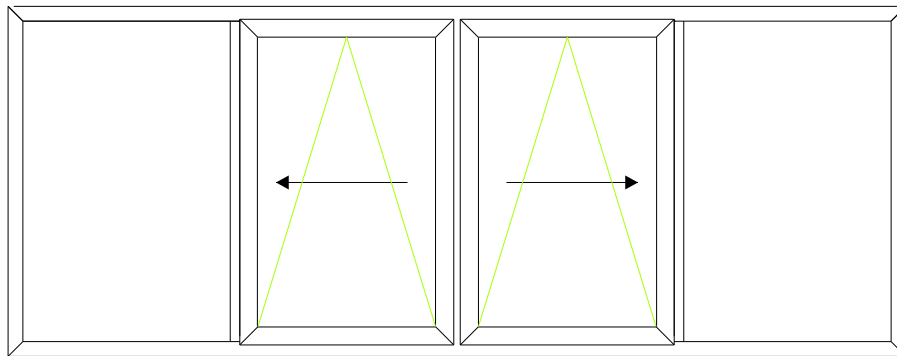


DOUBLE TILT & SLIDE DOOR

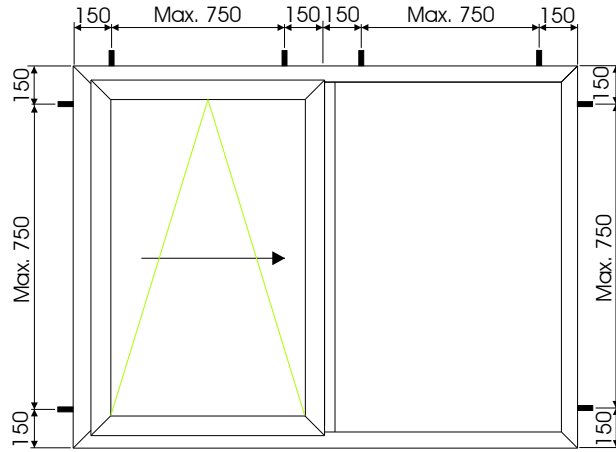
NOTE: DOORS CAN ALSO HAVE 1,2 OR 3 MIDRAILS



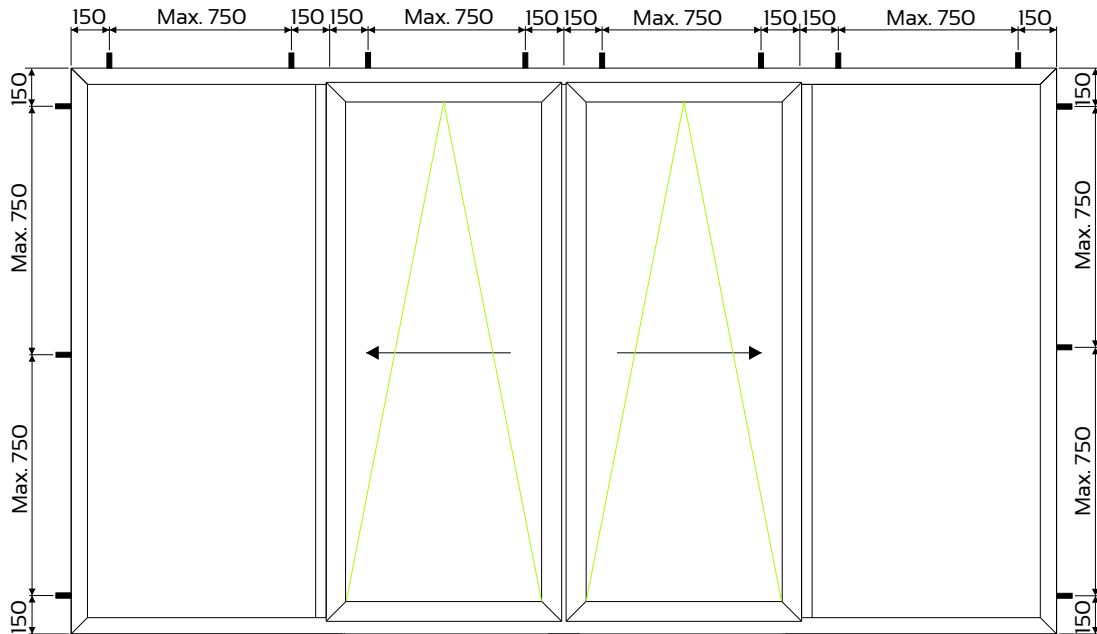
SINGLE TILT & SLIDE WINDOW



DOUBLE TILT & SLIDE WINDOW



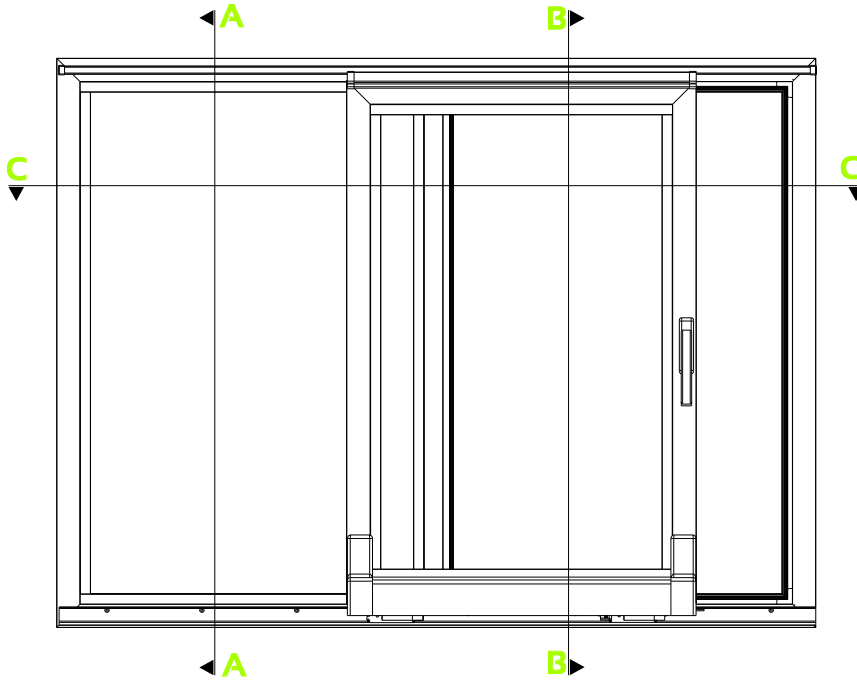
TILT & SLIDE WINDOW



TILT & SLIDE DOOR

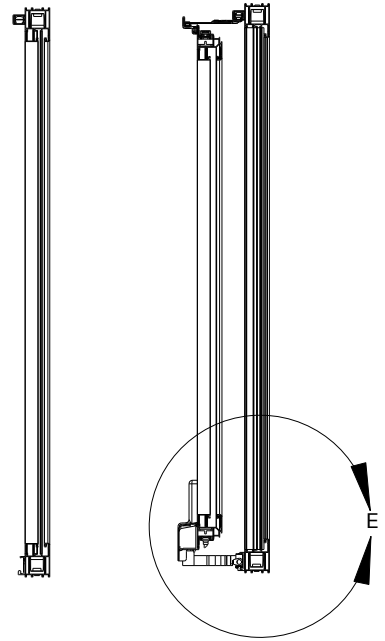
SERENE
HEAVY DUTY TILT AND SLIDE DOOR
PRODUCT MANUAL

Cross Sectional Detail



SECTION A-A
Section not to scale

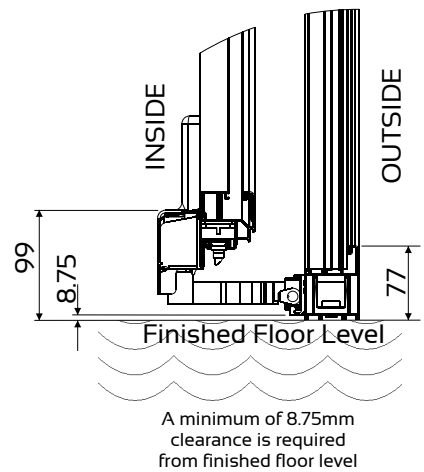
SECTION B-B
Section not to scale



SECTION C-C
Section not to scale



SECTION E-E
Section not to scale



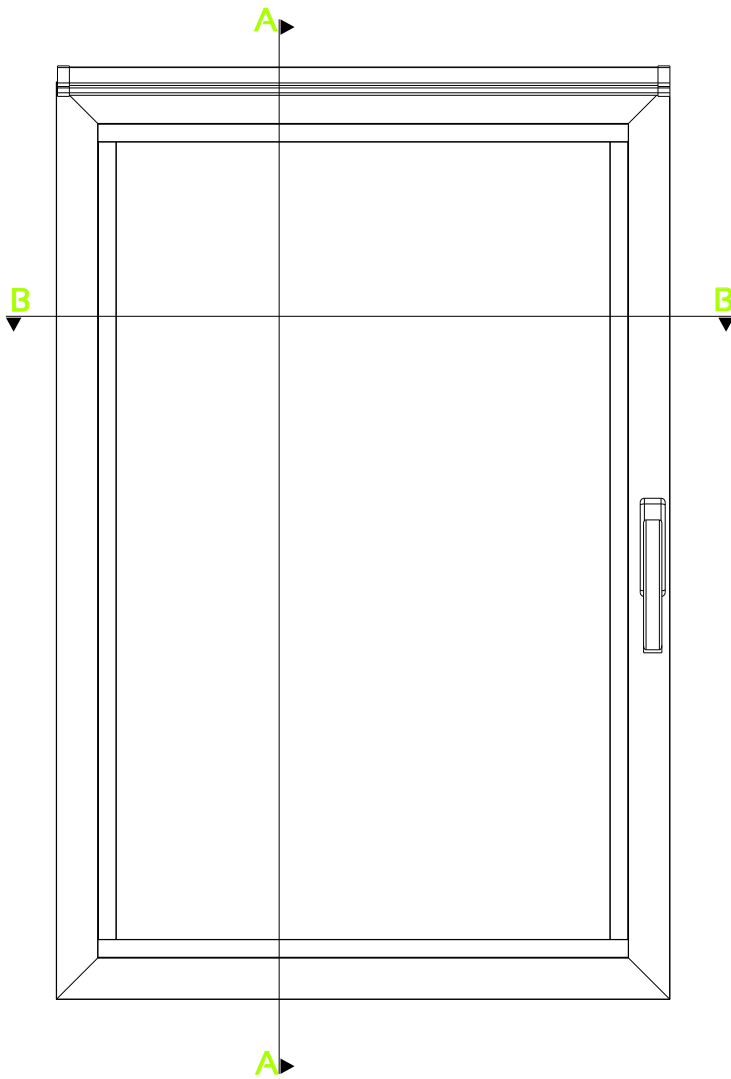
This manual must be read in conjunction with the Installation, Cleaning & Maintenance Document and the Performance Certificates for the relevant system. The manual must also be used in conjunction with the design and cutting list from the latest version of StarFront.

Disclaimer: The right to make alterations is reserved
© 2013 Wispeco (Pty) Ltd, All Rights Reserved

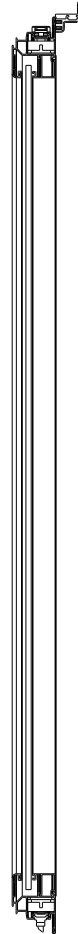
SERENE
HEAVY DUTY TILT AND SLIDE DOOR
PRODUCT MANUAL

Cross Sectional Detail

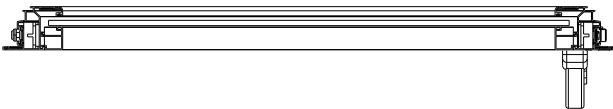
Sash



SECTION A-A
Section not to scale



SECTION B-B
Section not to scale



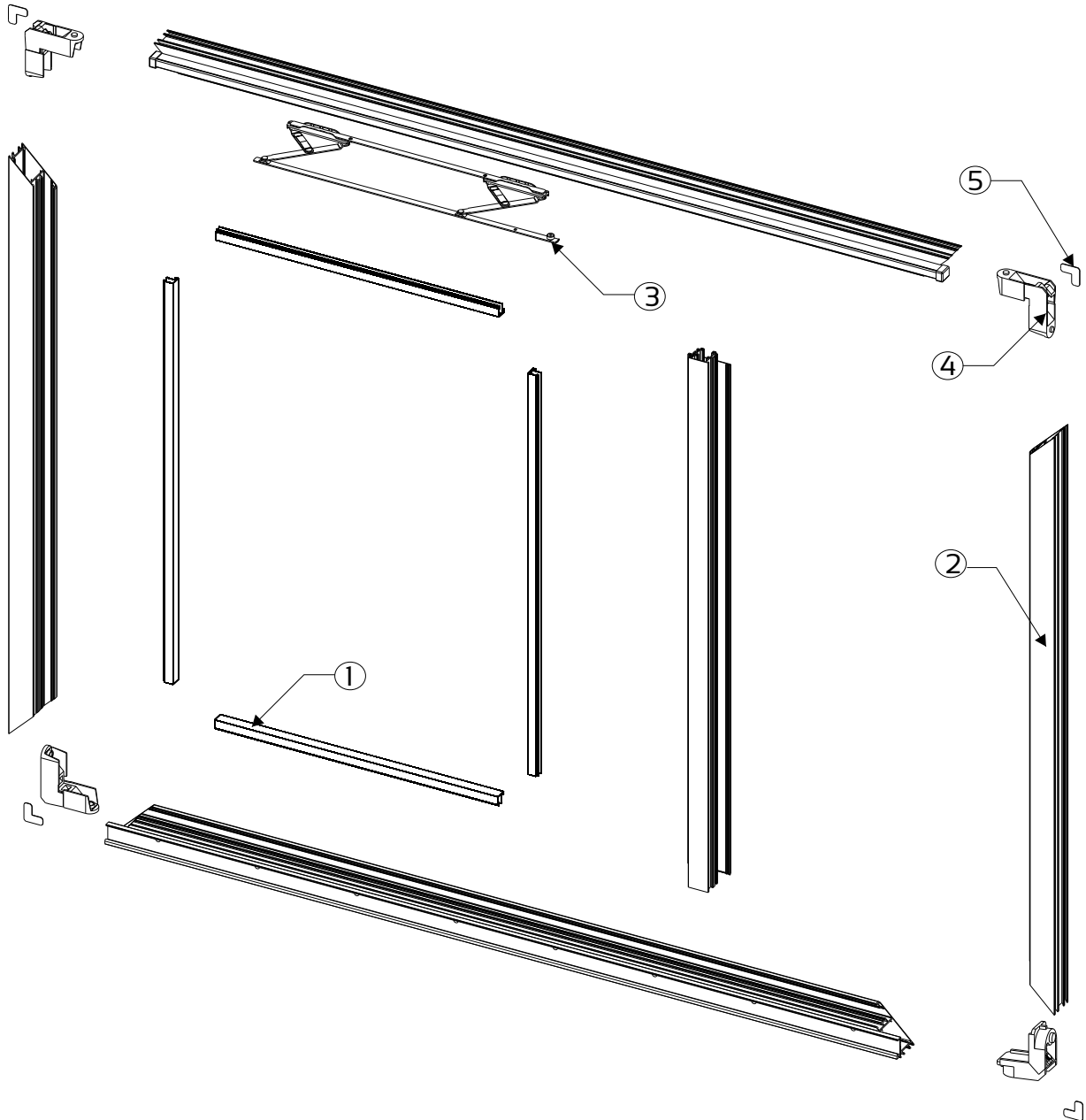
This manual must be read in conjunction with the Installation, Cleaning & Maintenance Document and the Performance Certificates for the relevant system. The manual must also be used in conjunction with the design and cutting list from the latest version of StarFront.

*Disclaimer: The right to make alterations is reserved
© 2013 Wispeco (Pty) Ltd, All Rights Reserved*

SERENE
HEAVY DUTY TILT AND SLIDE DOOR
PRODUCT MANUAL

Exploded View

Frame



System Profiles

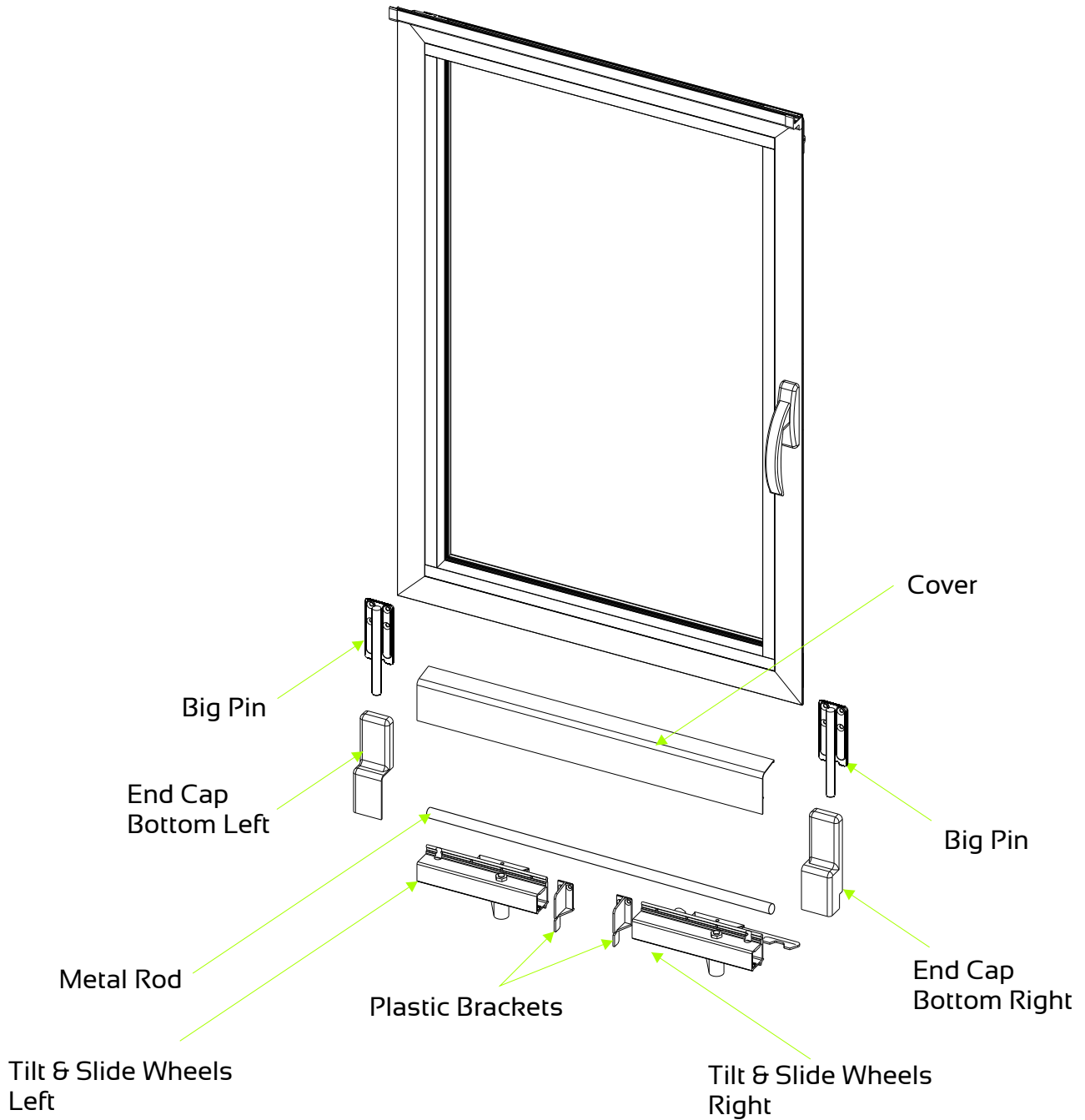
ITEM	QTY	DIE No.	DESCRIPTION
1	4	W31271	Bead 13mm Square
2	2	W55750	Frame 52mm Tilt & Slide

Hardware

ITEM	QTY	COMPONENT DESCRIPTION
3	1	Scissor Slider
4	4	Joining Corner
5	4	Alignment Mitre Corner



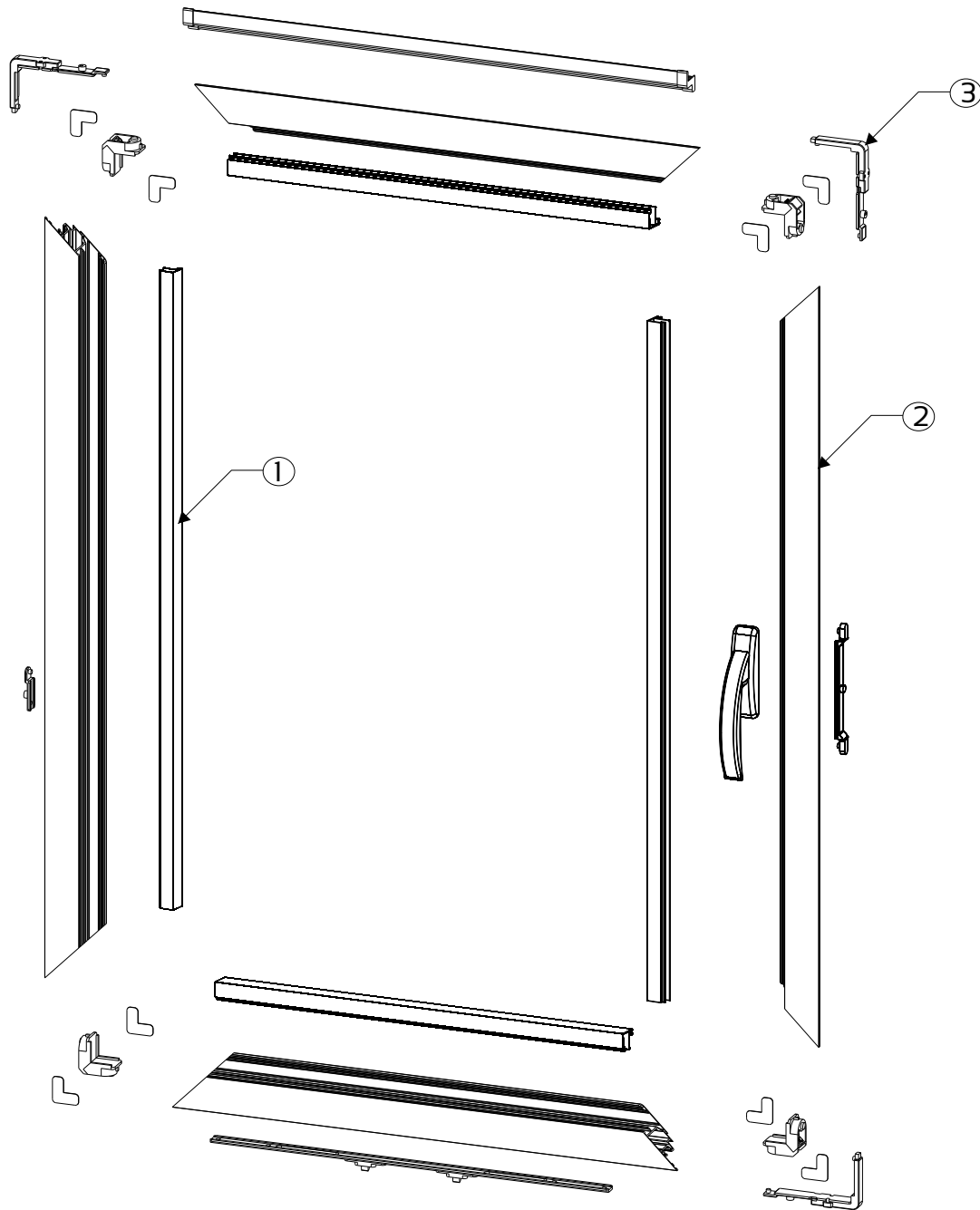
This manual must be read in conjunction with the Installation, Cleaning & Maintenance Document and the Performance Certificates for the relevant system. The manual must also be used in conjunction with the design and cutting list from the latest version of StarFront.



SERENE
HEAVY DUTY TILT AND SLIDE DOOR
PRODUCT MANUAL

Exploded View

Sash



System Profiles

Hardware

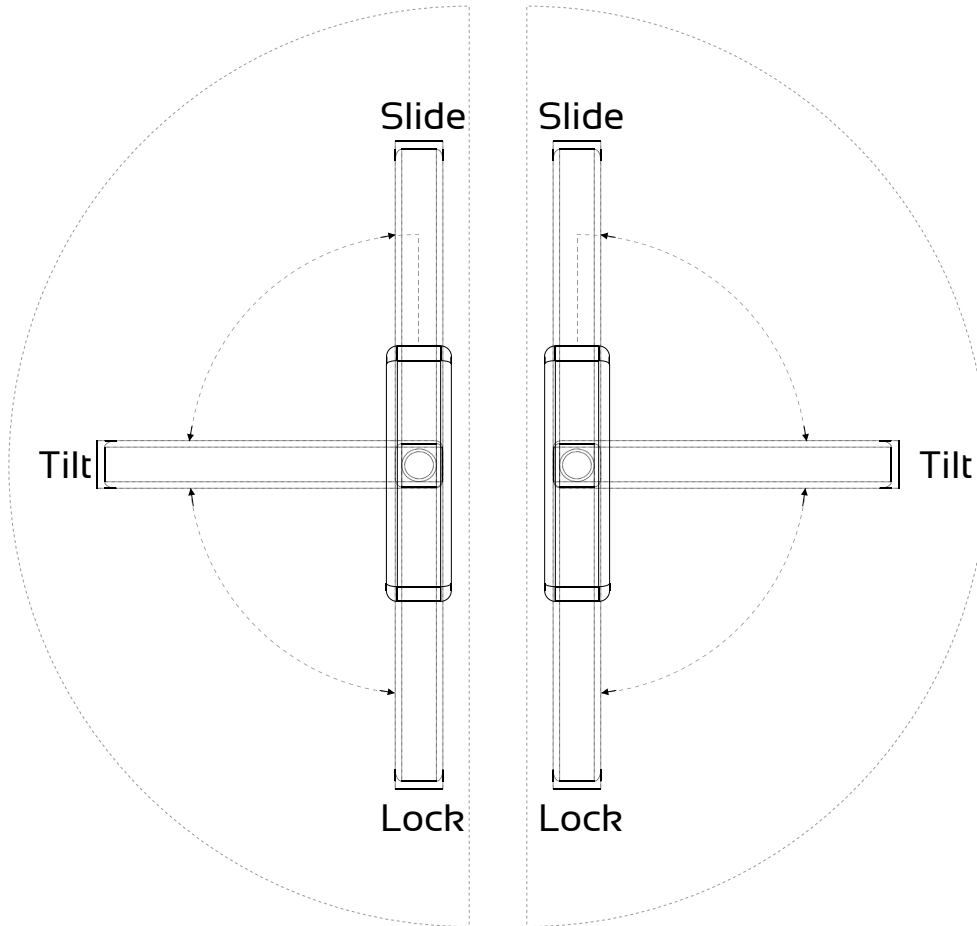
ITEM	QTY	DIE No.	DESCRIPTION
1	4	W31271	Bead 13mm Square
2	2	W55255	Frame 52mm Tilt & Slide

ITEM	QTY	COMPONENT DESCRIPTION
3	4	Joining Corner Cup Type

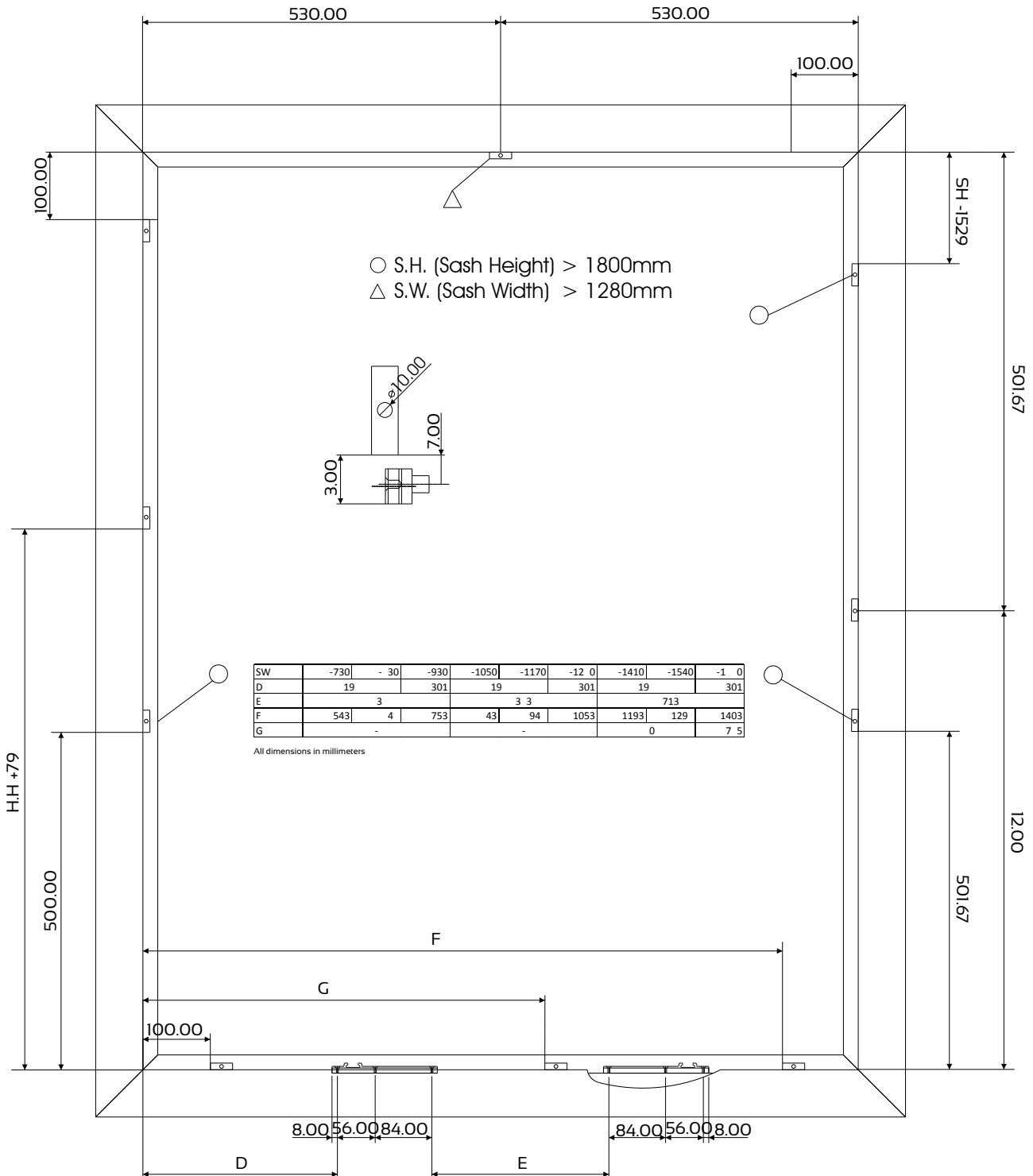


This manual must be read in conjunction with the Installation, Cleaning & Maintenance Document and the Performance Certificates for the relevant system. The manual must also be used in conjunction with the design and cutting list from the latest version of StarFront.

Disclaimer: The right to make alterations is reserved
© 2013 Wispeco (Pty) Ltd, All Rights Reserved



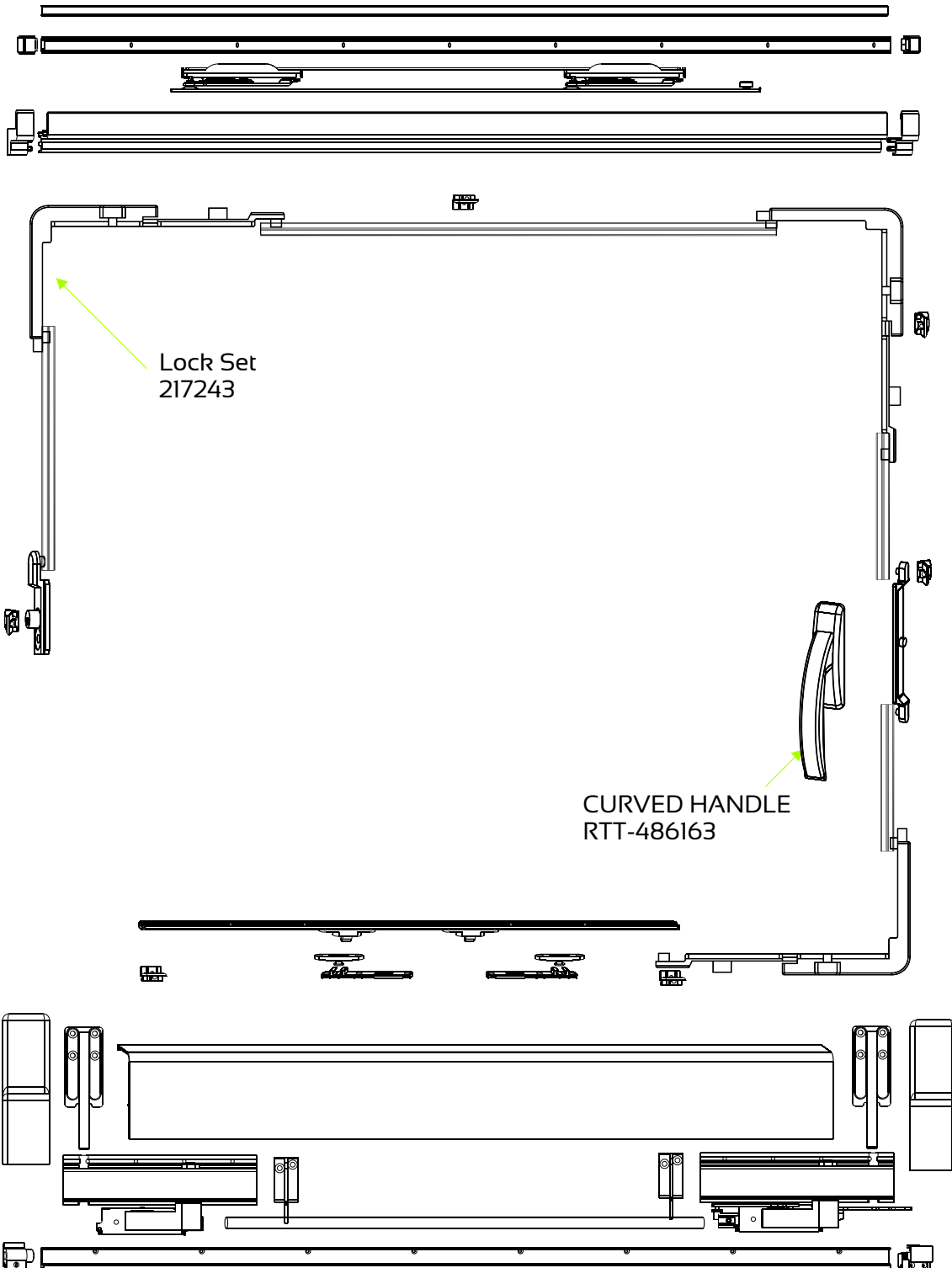
TRANSPARENT STICKERS AVAILABLE



SERENE
HEAVY DUTY TILT AND SLIDE DOOR
PRODUCT MANUAL

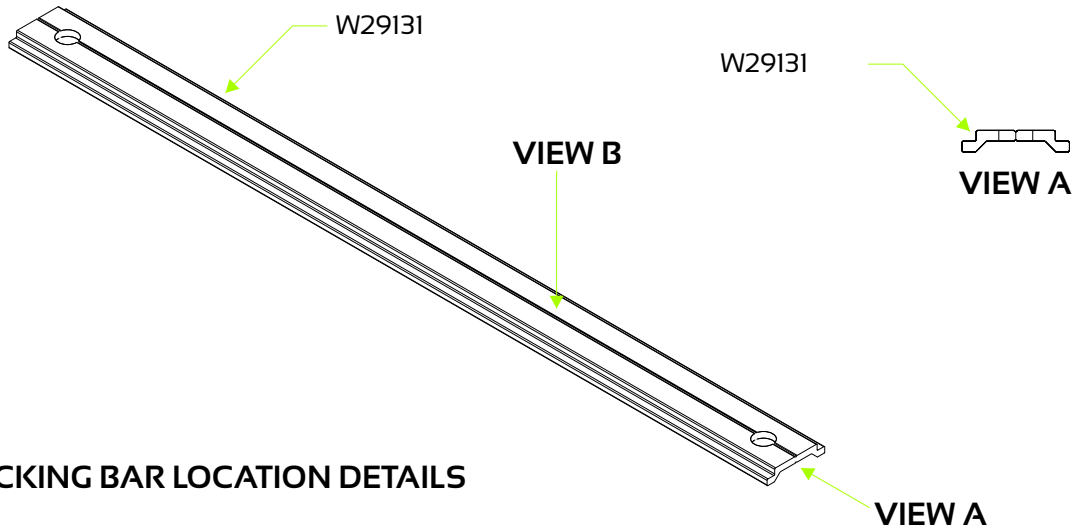
Hardware Detail

Tilt&Slide

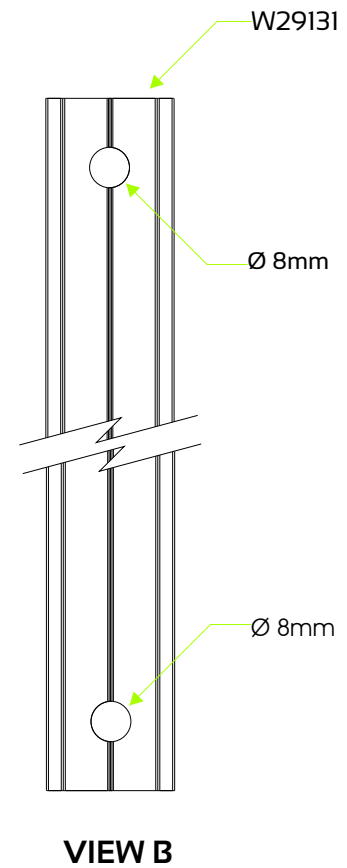
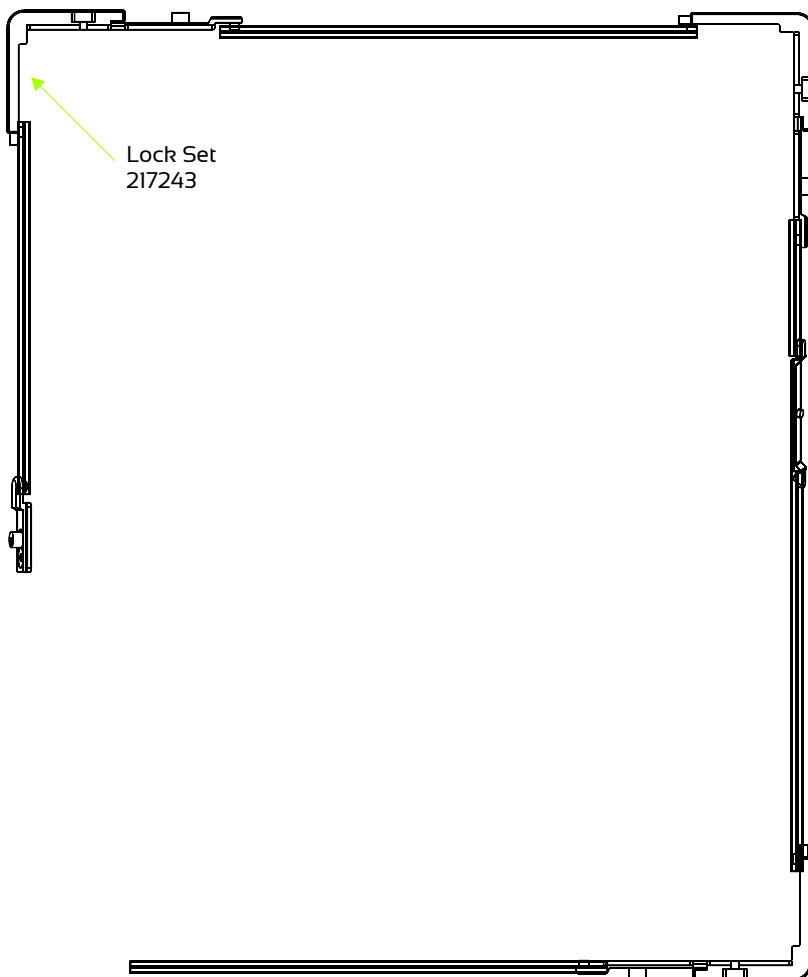


This manual must be read in conjunction with the Installation, Cleaning & Maintenance Document and the Performance Certificates for the relevant system. The manual must also be used in conjunction with the design and cutting list from the latest version of StarFront.

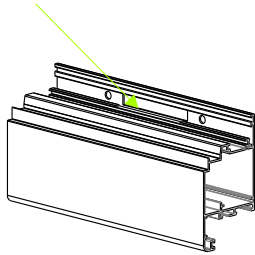
Disclaimer: The right to make alterations is reserved
© 2013 Wispeco (Pty) Ltd, All Rights Reserved



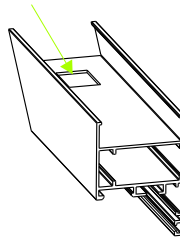
LOCKING BAR LOCATION DETAILS



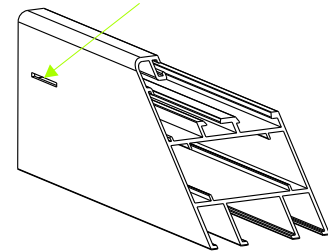
A: Handle Perforation



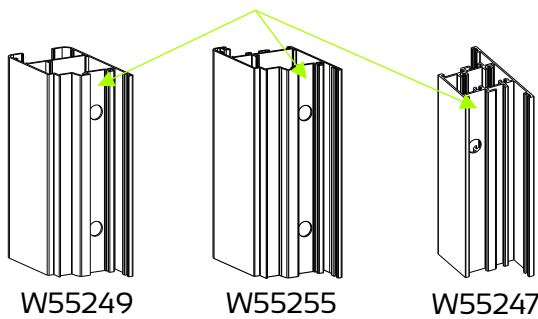
B: Punching for Corner Joint - LGC-JCC



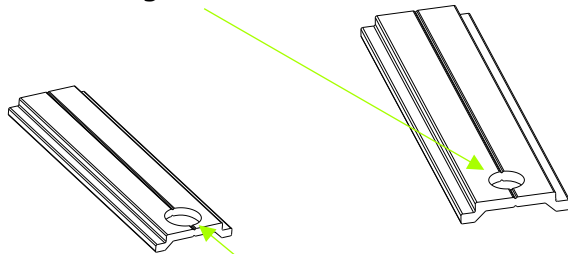
C: Punching for Water Drainage Hole



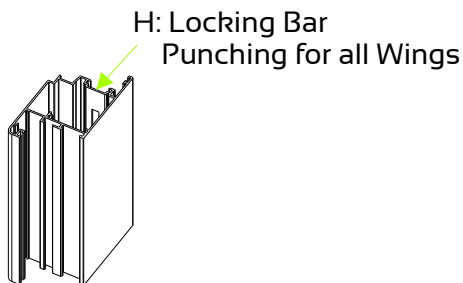
D: Punching for Ø11mm holes for Cross Connector and W55252



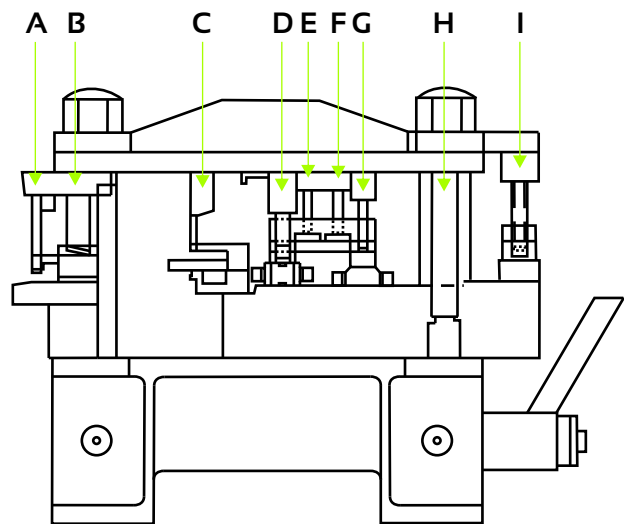
E: Locking Bar - Hole Ø6mm



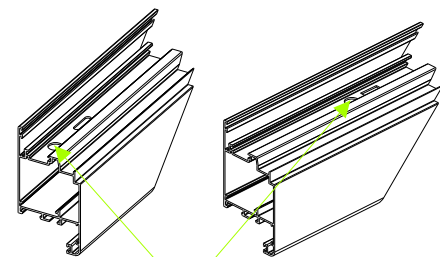
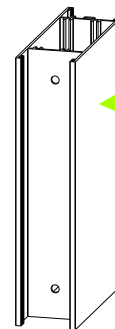
F: Locking Bar Hole Ø8mm



H: Locking Bar Punching for all Wings



G: Punching for Ø6mm Holes for W55252



I: Perforation for Corner Joint LGC-JC3217 and LGC-JC3236

PCR 073

Performance Compliance Report

Non-Transferable

Aluminium System Distributor Wispeco (Pty) Ltd
P O Box 124167
ALRODE
1451

Method of Glazing Butterfly Gasket

Elevation & Dimensions of Test Unit

Glass Types 6.38mm PVB

Extrusions used in manufacture

Detail #	Reference #	Description
1	55750 & 55255	Head assembly
2	55750 & 55255 & 31263	Cill assembly
3	55750 & 55255	Jamb assembly
4	55978 & 555255	Mullion assembly
Throughout	31271	Glazing bead
Throughout	CG003ER & WSG001E & BG050ER	Centre gasket & sash seals
Throughout	BG002PR & H92	Butterfly & Wedge

Test Results

Negative Pressure	2500 Pa
Positive Pressure	2500 Pa
Water Penetration	No leakage at 400Pa
Structural Pressure	3750 Pa
Air infiltration	0.65 l/s/m ²

AAAMSA Standard Achieved **A3**

Comment When manufactured to recommendations stipulated by the system provider, the **520 Tilt & Slide** is able to pass performance criteria **A3** as laid down in AAAMSA's General Specification for aluminium and glass products.

Each individual manufacturer must obtain appropriate AAAMSA Performance Test Certificate to confirm his ability to conform to this Performance Compliance Report. APT 11/013.

This document is to be read in conjunction with the appropriate technical and assembly documentation supplied by Messrs. Wispeco (Pty) Ltd

Issued: 25 October 2011

EXECUTIVE DIRECTOR

Directors: RG Hampson (President), BW Willison (Vice-President), KD Luyt (Immediate Past President), MG Myers, GA Richardson, BH Watson, RC Schreiber, MB Rissaeuw, AL Collins, RA Hoffman, D Thomas

Executive Director: Hans A Schefferlie, MCIQB, FSAGI AAQS (Neth)

1st Floor, Block 4, Conference Centre, 2nd Road, Midrand P O Box 7861, Halfway House, 1685

e-mail: aaamsa@iafrica.com website: www.aaamsa.co.za

AAAMSA Group
 Reg. No. 1974/000006/08
 Association Incorporated under Section 21
 VAT No. 4900141153
 Tel (011) 805-5002
 Fax (011) 805-5033
 Incorporating:

 AAAMSA Fenestration

 South African Fenestration & Insulation Energy Rating Association

 Aluminium Stockists and Distributors Association

 Expanded Polystyrene Association of Southern Africa

 South African Building Interior Systems Association

 South African Glass and Glazing Association

 SA Shower Enclosure Manufacturers Association

 South African Glass Institute

 Skylight Association of Southern Africa

 Thermal Insulation Association of Southern Africa

 Thermal Panel Manufacturers Association
 Country Representative

 NFCR MEMBER

GLAZING

1. SELECTION OF GLAZING METHODS

1.1 SETTING AND LOCATION BLOCKS

Glass-to-metal contact must be avoided at all times by using setting and location blocks having a hardness of 50° to 90° shore A durometer. Use only blocks made of Neoprene, EPDM, Silicone or other elastomeric material.

Setting blocks are to have a minimum thickness of 3mm and must be at least 27mm in length per square metre of glass area.

The position of the setting and location blocks is illustrated in Figure 2.

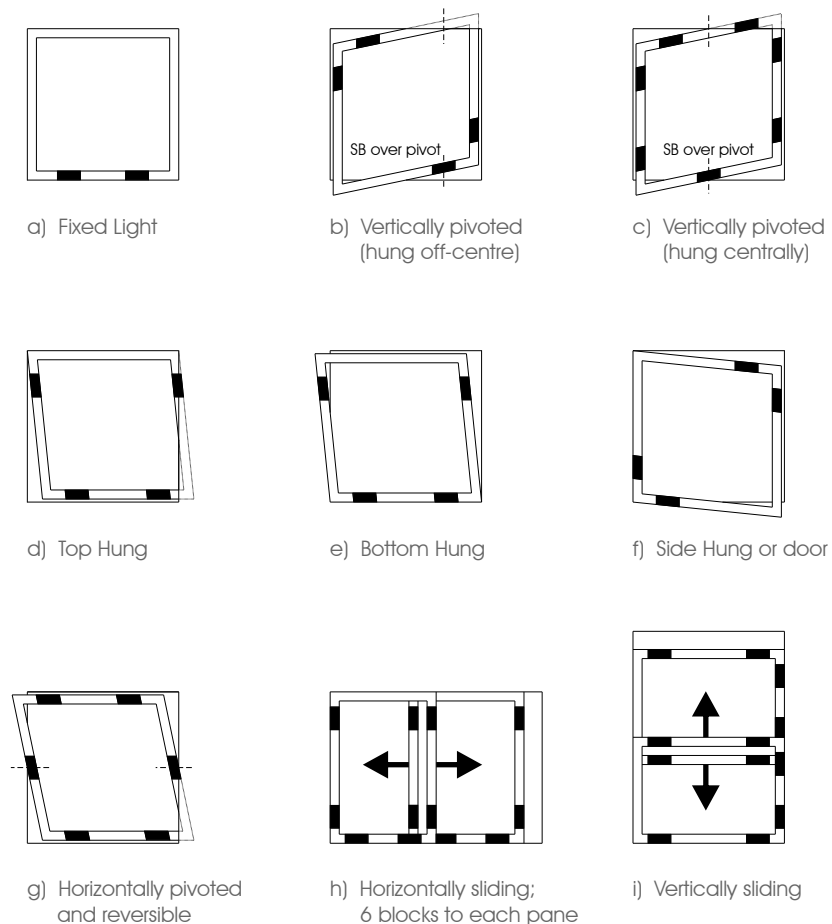


FIGURE 2 - POSITION OF SETTING AND LOCATION BLOCKS